

# Distinctive Characteristics

Environmentally friendly components and packaging materials meet RoHS Directive restricting use of hazardous materials. Suited for lead-free soldering because of heat resistant resin materials.

Smooth, slightly concave surface of cap designed to fit fingertip. Unique design and construction of cap prevents its removal and limits tampering.

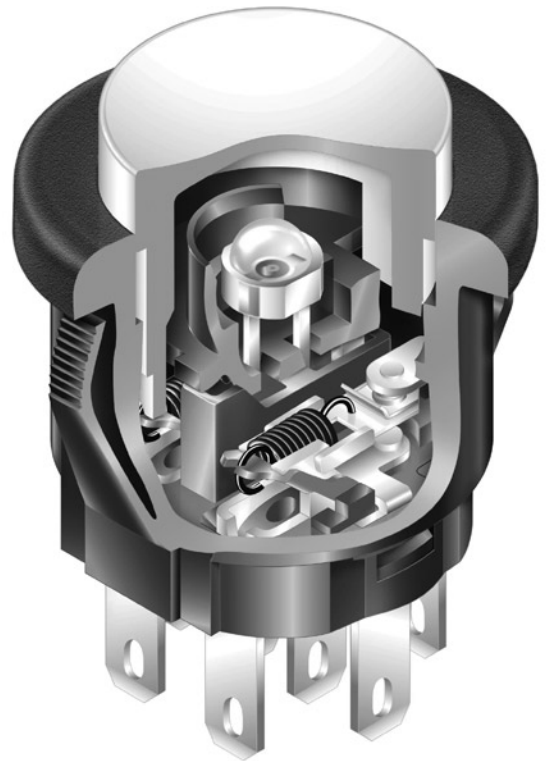
Bright LED illumination in choice of red, green, or amber through translucent white cap.

Short body of .551" (14.0mm) conserves behind-panel space.

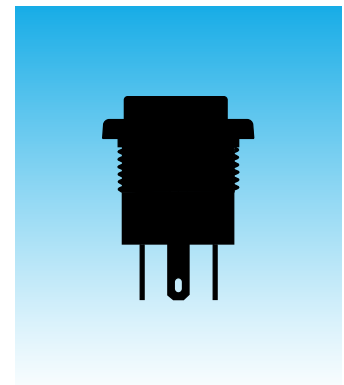
Combination solder lug and .110" quick connect terminals.

Crisp actuation and clear circuit status provided by snap-action contact mechanism. Arc barrier between movable contacts protects against crossover.

Nonilluminated models available and shown in the Pushbutton section.



Actual Size



# General Specifications

## Electrical Capacity (Resistive Load)

**Power Level (silver):** 3A @ 125V AC or 3A @ 250V AC or 3A @ 30V DC

## Other Ratings

**Contact Resistance:** 50 milliohms maximum  
**Insulation Resistance:** 200 megohms minimum @ 500V DC  
**Dielectric Strength:** 1,000V AC minimum between contacts for 1 minute minimum  
 1,500V AC minimum between contacts and case for 1 minute minimum  
**Mechanical Life:** 500,000 operations minimum  
**Electrical Life:** 50,000 operations minimum  
**Nominal Operating Force:** 1.5N for Single Pole; 3.0N for Double Pole  
**Contact Timing:** Nonshorting (break-before-make)  
**Travel:** Total Travel .118" (3.0mm)

## Materials & Finishes

**Actuator:** Polycarbonate  
**Housing:** Bushing mount: Glass fiber reinforced polyamide (UL94V-0);  
 Snap in mount: Polyphenylene ether (UL94V-0)  
**Base:** Diallyl phthalate (UL94V-0)  
**Movable Contact:** Phosphor bronze & silver with silver plating  
**Stationary Contacts:** Common terminal: Phosphor bronze with silver plating;  
 Contact terminals: Phosphor bronze with tin & copper plating  
**Lamp Terminals:** Phosphor bronze with tin and copper plating

## Environmental Data

**Operating Temp Range:** -10°C through +50°C (+14°F through +122°F)  
**Humidity:** 90 ~ 95% humidity for 240 hours @ 40°C (104°F)  
**Vibration:** 10 ~ 55Hz with peak-to-peak amplitude of 1.5mm traversing the frequency range & returning in 1 minute; 3 right angled directions for 2 hours  
**Shock:** 50G (490m/s<sup>2</sup>) acceleration (tested in 6 right angled directions, with 5 shocks in each direction)

## Installation

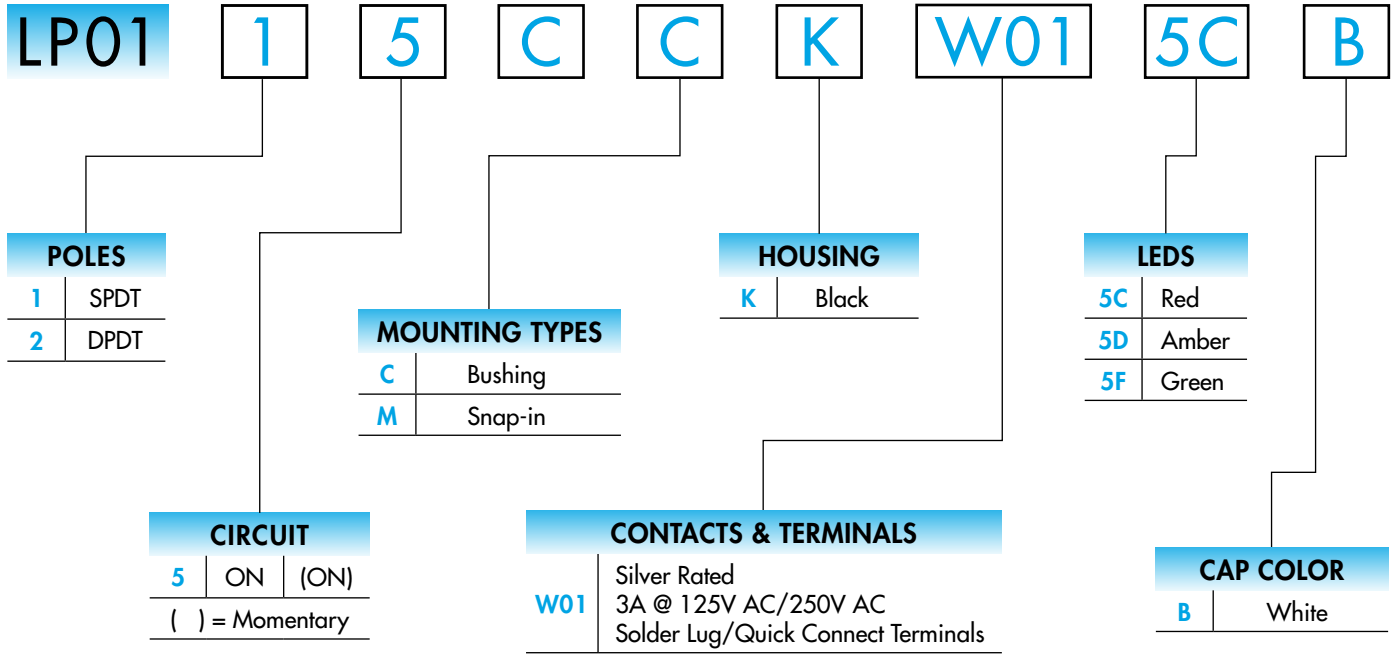
**Mounting Torque:** 0.8Nm (7.08 lb•in)  
**Soldering Time & Temperature:** Manual Soldering: See Profile A in Supplement section.  
**Cleaning:** Hand clean locally with alcohol based solution

## Standards & Certifications

**Flammability Standards:** UL94V-0 housing & base  
**UL Recognition:** All single & double pole models recognized at 3A @ 125V/250V AC or 3A @ 30V DC  
 UL File No. WOYR2.E44145; add "/U" to end of part number to order UL mark on switch  
**C-UL Recognition:** All single & double pole models recognized at 3A @ 125V/250V AC or 3A @ 30V DC  
 C-UL File No. WOYR8.E44145; add "/C-UL" to end of part number to order C-UL mark on switch

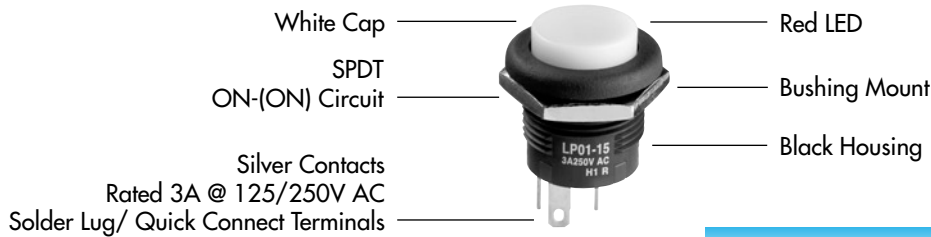


### TYPICAL SWITCH ORDERING EXAMPLE



### DESCRIPTION FOR TYPICAL ORDERING EXAMPLE

#### LP0115CCKW015CB



#### IMPORTANT:



Switches are supplied without UL & C-UL marking unless specified. Specific models & ratings noted on General Specifications page.

### POLES & CIRCUIT

Pole	Model	Plunger Position ( ) = Momentary		Connected Terminals		Throw & Power/Lamp Schematics
		Normal	Down	Normal	Down	
SP	LP0115	ON	(ON)	1-3	1-2	Note: Terminal markings "COM, NO, NC, L, + and -" are actually on the switch; terminal numbers are not on the switch. SPDT
DP	LP0125	ON	(ON)	1-3 4-6	1-2 4-5	DPDT

### MOUNTING TYPES

**C**

**Bushing**

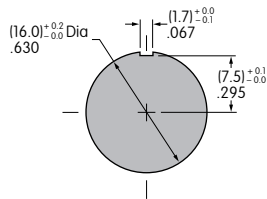
.630" (16.0mm) Diameter

This mounting option is supplied with a brass hexagon nut with nickel plating.



Recommended Panel Thickness:

.079" ~ .256"  
(2.0mm ~ 6.5mm)



Allow .984" (25.0mm) distance between switches when mounted side-by-side.

**M**

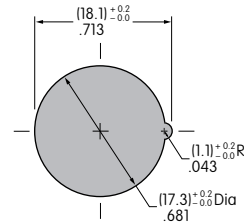
**Snap-in**

.669" (17.0mm) Diameter



Recommended Panel Thickness:

.039" ~ .126"  
(1.0mm ~ 3.2mm)



Allow .827" (21.0mm) distance between switches when mounted side-by-side.

### HOUSING

**K**

**Black**

Housing available in black only. The one-piece body and bezel have a matte finish.

### CONTACT MATERIALS, RATINGS, & TERMINALS

**W01**

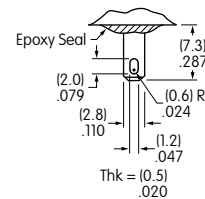
**Silver**

**Power Level**

**Solder Lug/  
.110" (2.8mm) Quick Connect**

**3A @ 125V AC/250V AC; 3A @ 30V DC**

Note: If used at 1A @ 125V AC/250V AC or 1A @ 30V DC, electrical life will be 100,000 operations minimum.



### CAP COLOR

**B**

**White**

The translucent cap is an integral part of the switch and is not available separately.


Material: Polycarbonate

Finish: Matte



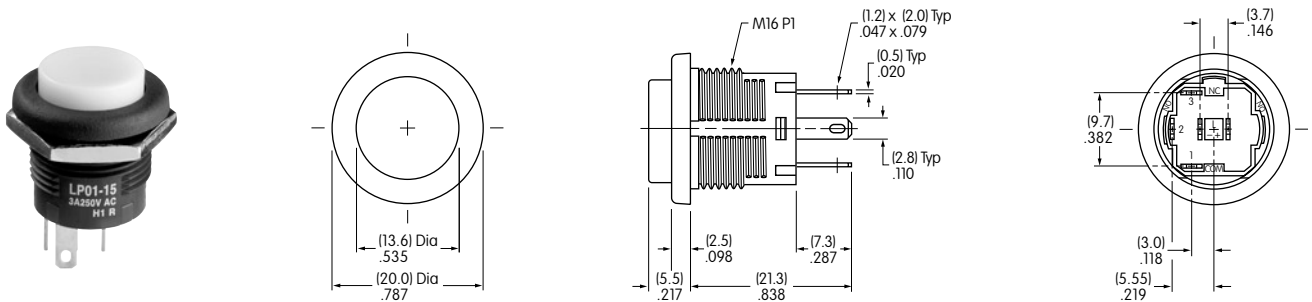
## LED COLORS & SPECIFICATIONS

The electrical specifications shown are determined at a basic temperature of 25°C.  
 LED circuit is isolated and requires external power source. Polarity marks are on the switch.  
 If the source voltage exceeds the rated voltage, a ballast resistor is required.  
 The resistor value can be calculated by using the formula in the Supplement section.

LEDs are an integral part of the switch and are not available separately.	Single Color LED with 1 Element		<b>5C</b>	<b>5D</b>	<b>5F</b>
		Colors	Red	Amber	Green
	Forward Peak Current	$I_{FM}$	30mA	30mA	30mA
	Continuous Forward Current	$I_F$	20mA	20mA	20mA
	Forward Voltage	$V_F$	1.95V	2.0V	2.1V
	Reverse Peak Voltage	$V_{RM}$	5V	5V	5V
	Current Reduction Rate Above 25°C	$\Delta I_F$	0.41mA/°C	0.29mA/°C	0.39mA/°C
Ambient Temperature Range			-10°C ~ +50°C		

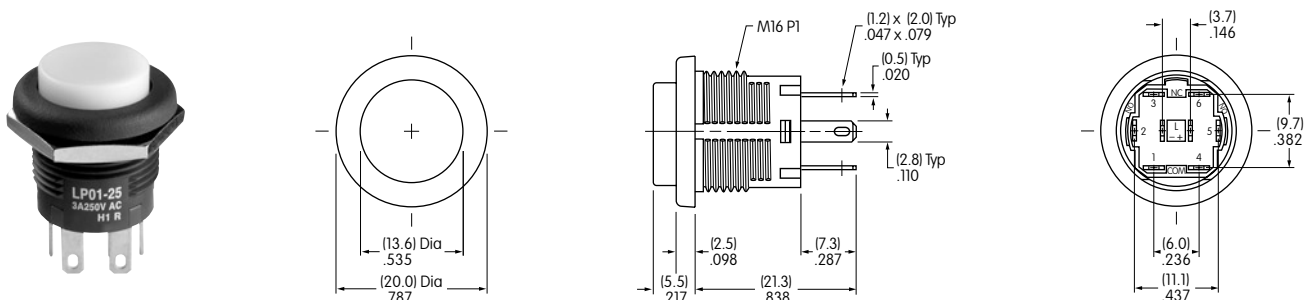
## TYPICAL SWITCH DIMENSIONS

### Bushing Mount • Single Pole



LP0115CCKW015CB

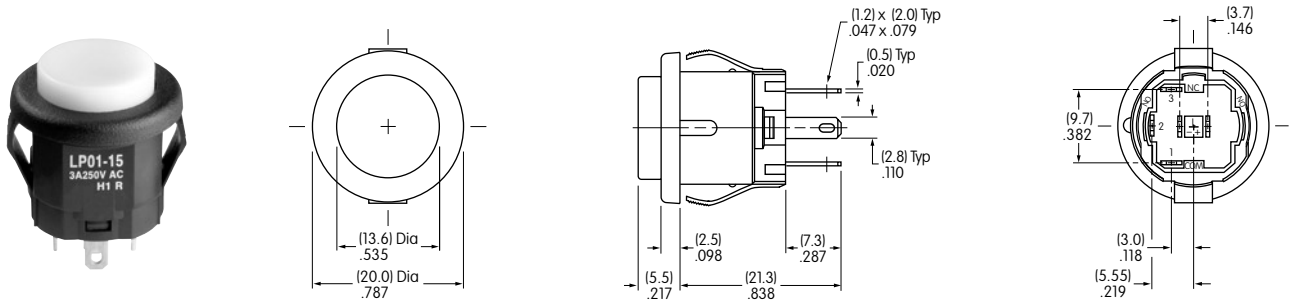
### Bushing Mount • Double Pole



LP0125CCKW015CB

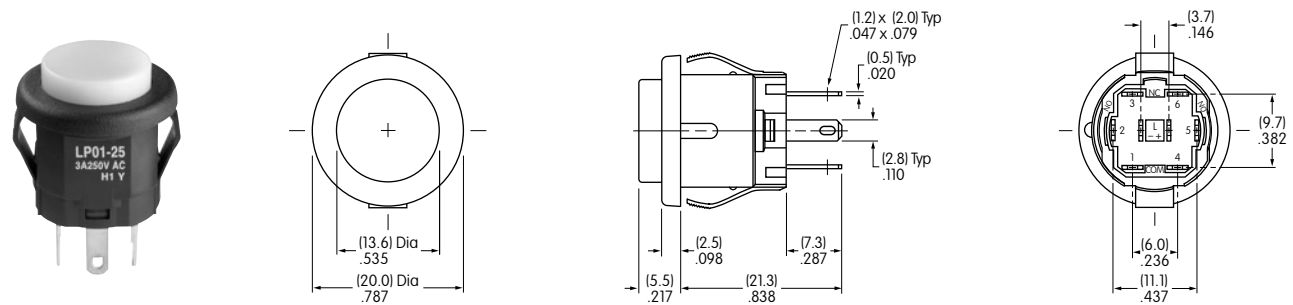
## TYPICAL SWITCH DIMENSIONS

### Snap-in • Single Pole



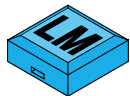
LP0115CMKW015CB

### Snap-in • Double Pole



LP0125CMKW015DB

## LEGENDS



Easily create and submit your own legends using our new on-line Legend Maker.

Visit [www.nkkswitches.com](http://www.nkkswitches.com)

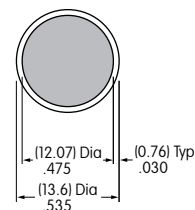
For other legend support options, customers may either contact the factory or utilize the general information and basic specifications presented below.

### Suggested Printable Area for LP01 Cap



#### Recommended Methods:

Pad Print or Laser Etch on cap.  
Epoxy based ink is recommended.



Shaded area is printable area